

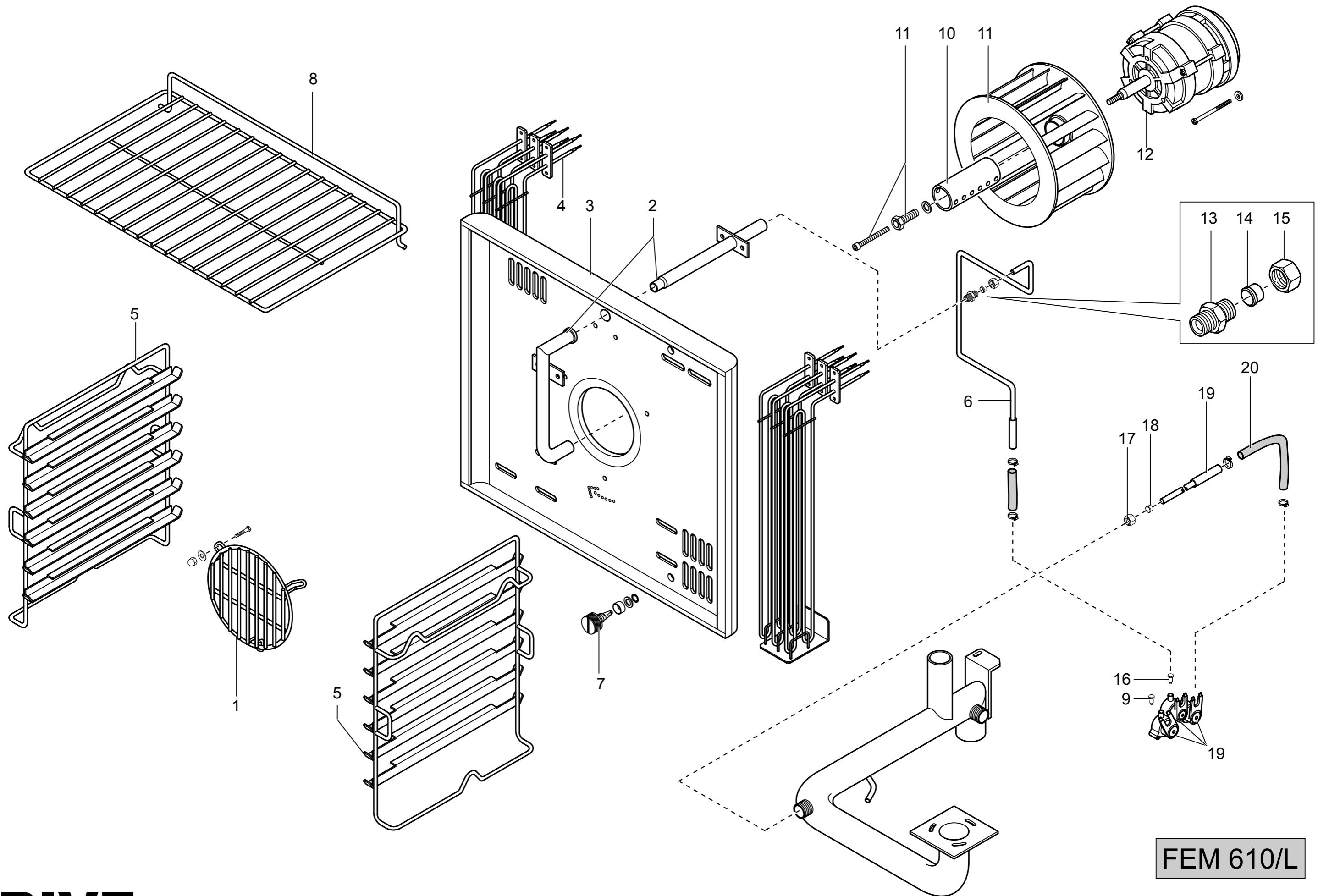
FEM 610/L  
FGM 610/L

A= solo per FGM 610

**DRIVE**

**TAV. 009**

| TAVOLA         | POS. | CODICE     | DESCRIZIONE                   | DESCRIPTION                              | DESCRIPTION                   | TITEL                          |
|----------------|------|------------|-------------------------------|--|-------------------------------|--------------------------------|
| DRIVE TAV. 009 | 1    | GAFOC00030 | AS.CERN.SUP.SX P.F.           | CHARNIÈRE SUPÉRIEURE GAUCHE              | INGE PIN SUPER.LEFT           | TÜRANGEL OBEN LINKS            |
| DRIVE TAV. 009 | 1-1  | GAFOC00213 | AS.CERN.SUP.DX P.F.           | CHARNIÈRE SUPÉRIEURE DROITE              | INGE PIN SUP. RIGHT           | TÜRANGEL RECHTS                |
| DRIVE TAV. 009 | 2    | 161270     | GR. VETRO INT. SX/DX          | C/PORTE DU FOUR GAUCHE                   | C/OVEN DOOR LEFT              | C/OFENTÜR LINKS                |
| DRIVE TAV. 009 | 3    | 161158     | AS.PORTA FORNO.SX             | PORTE DU FOUR GAUCHE                     | OVEN DOOR LEFT                | OFENTÜR LINKS                  |
| DRIVE TAV. 009 | 3-1  | 161619     | AS.PORTA FORNO.DX             | PORTE DU FOUR DROITE                     | OVEN DOOR RIGHT               | OFENTÜR RECHTS                 |
| DRIVE TAV. 009 | 4    | 161171     | VETRO ESTERNO SX/DX           | VERRE EXTER GAUCHE/DROITE                | EXTERNAL GASKET LEFT/RIGHT    | EXTERNER GLAS RECHTS/LINKE     |
| DRIVE TAV. 009 | 5    | 161107     | ASS. CASS. FORNO FEM610       | CAISSON                                  | BODY                          | SCHUBLADE                      |
| DRIVE TAV. 009 | 5A   | 161106     | ASS. CASS. FORNO FGM610       | CAISSON                                  | BODY                          | SCHUBLADE                      |
| DRIVE TAV. 009 | 6    | PAFOC00583 | CERN.INF.P.F.DX               | CHARNIÈRE INFÉRIEUR DROITE PORTE DU FOUR | INGE PIN INF. RIGHT           | TÜRANGEL INF. RECHTS           |
| DRIVE TAV. 009 | 6-1  | 161387     | CERN.INF.P.F.SX               | CHARNIÈRE INFÉRIEUR GAUCHE PORTE DU FOUR | INGE PIN INFER.LEFT           | TÜRANGEL UNTENLINKS            |
| DRIVE TAV. 009 | 7    | 160912     | MANIGLIA                      | POIGNÉE                                  | HANDLE                        | HANDGRIFF                      |
| DRIVE TAV. 009 | 8    | RTFOC00338 | ANELLO EST.MAN.P.F.           | ANNEAU EXT. POIGNÉE PORTE DU FOUR        | OUTWARD RING OVEN DOOR HANDLE | HANDGRIFF                      |
| DRIVE TAV. 009 | 9    | 160911     | BASETTA MANIGLIA              | EPAISSEUR POIGNÉE                        | HANDLE                        | HANDGRIFF                      |
| DRIVE TAV. 009 | 10   | RTFOC00337 | ANELLO INT.GRADINO MAN.P.F.   | ANNEAU INTERIEUR EPAISSEUR               | INNER RING                    | INNENRING                      |
| DRIVE TAV. 009 | 11   | 161176     | AS. CASSETTO SX INT. P.F.     | GROUPE BASSIN GAUCHE                     | UNIT DRAWER LEFT              | GRUPPE SCHUBLADE LINKE         |
| DRIVE TAV. 009 | 11-1 | 161566     | AS. CASSETTO DX INT. P.F.     | GROUPE BASSIN DROITE                     | UNIT DRAWER RIGHT             | GRUPPE SCHUBLADE RECHTS        |
| DRIVE TAV. 009 | 12   | 161135     | AS.CASSETTO SX                | BASSIN GAUCHE                            | TRAY LEFT                     | SCHUBLADE LINKS                |
| DRIVE TAV. 009 | 12-1 | 161574     | AS.CASSETTO DX                | BASSIN DROITE                            | TRAY RIGHT                    | SCHUBLADE RECHTS               |
| DRIVE TAV. 009 | 13   | RTFOC00413 | PIEDINO+T.OTTAG.FGC065/87,5   | PIED                                     | FOOT                          | FUSS                           |
| DRIVE TAV. 009 | 14   | RTFOC00711 | MICROINT.FCV.                 | MICRO-INTERRUPTEUR PORTE DU FOUR         | MICRO OVEN DOOR               | MIKRO OFENTÜR                  |
| DRIVE TAV. 009 | 15   | 165050     | AS.CRUSCOTTO                  | PANNEAU DE CONTRÔLE                      | CONTROL PANEL                 | STIRNBRETT                     |
| DRIVE TAV. 009 | 16   | PAFOC00491 | FIANCO DX                     | CÔTÉ DROITE                              | RIGHT SIDE                    | RECHTE SEITE                   |
| DRIVE TAV. 009 | 17   | 165337     | POSTERIORE INOX               | PANNEAU POSTERIEUR                       | BACK PANEL                    | HINTEN                         |
| DRIVE TAV. 009 | 18   | 161204     | AS.COPERCHIO FEM610           | COUVERCLE EXT.                           | COVER EXT.                    | ABDECKUNG                      |
| DRIVE TAV. 009 | 18A  | 161202     | AS. COPERCHIO FGM610          | COUVERCLE EXT.                           | COVER EXT.                    | ABDECKUNG                      |
| DRIVE TAV. 009 | 19   | PAFOC00493 | FIANCO SX                     | CÔTÉ GAUCHE                              | LEFT SIDE                     | LINKE SEITE                    |
| DRIVE TAV. 009 | 20   | 161502     | AS. GHIERA BLOCCO VETRO       | GROUPE BAGUE BLOCAGE VERRE               | UNIT LUCKING GLASS NUT        | GRUPPE GEFESTIGUNGSMUTTER GLAS |
| DRIVE TAV. 009 | 21   | GAFOC00027 | AS.C/FORO CASS.               | COUVRE TROU                              | PLUG                          | LOCHABDECKUNGSPROPFEN          |
| DRIVE TAV. 009 | 22   | RTFOC00555 | AT.GRIGLIA LAT.F.             | ATTAQUE GRILLE LATÉRALE                  | GRILL CONNECTION SIDE         | GRILLAUFPLAGE SEITE            |
| DRIVE TAV. 009 | 23   | RTFOC00197 | MOTORIDUTTORE                 | DÉMARREUR                                | MOTOR                         | MOTOR                          |
| DRIVE TAV. 009 | 24   | RTFOC00192 | ALBERO SCARICO                | ARBRE                                    | SHAFT                         | WELLE                          |
| DRIVE TAV. 009 | 25   | RTFOC00711 | MICROINTERRUTTORE             | MICRO-INTERRUPTEUR                       | MICROSWITCH                   | MIKROSCHALTER                  |
| DRIVE TAV. 009 | 26   | RTFOC00553 | ASTA SCARICO CONDENSA         | BARRE TRANSVERSAL                        | ROD TRANSVERS.                | STAB                           |
| DRIVE TAV. 009 | 27   | PAFOC00680 | DISCO INF.SCARICO COND.       | DISQUE INFÉRIEUR DÉCHARGÉ                | DISC INFER. OUTLET            | SCHEIBE UNTEN AUSGANG          |
| DRIVE TAV. 009 | 28   | RTFOC00382 | *CORNICI FIS.VETRO P/LAMP.    | CADRE DU PORTELAMPE                      | MOULDING P/LAMP               | UMRAHMUNG P/LAMPE              |
| DRIVE TAV. 009 | 29   | 161283     | GUARNIZIONE P/LAMPADA         | GARNITURE DU PORTELAMPE                  | GASKET P/LAMP                 | DICHTUNG P/LAMPE               |
| DRIVE TAV. 009 | 30   | RTFOC00201 | *VETRO P/LAMPADA              | VERRE DU PORTELAMPE                      | GLASS P/LAMP                  | GLAS P/LAMPE                   |
| DRIVE TAV. 009 | 31   | 161281     | PORTA LAMPADA                 | PORTELAMPE                               | DOOR LAMP                     | PORTA LAMPE                    |
| DRIVE TAV. 009 | 32   | 161282     | LAMPADA                       | LAMPE                                    | LAMP                          | LAMPE                          |
| DRIVE TAV. 009 | 33   | RTFOC00009 | GANCIO                        | CROCHET                                  | HOOK                          | HAKEN                          |
| DRIVE TAV. 009 | 34   | RTFOC00005 | ZOCCOLO ESTERNO               | GODET EXTÉRIEUR                          | OUTWARD BASE                  | SOCKEL AUSSEN                  |
| DRIVE TAV. 009 | 35   | 161513     | MOLLA FERMO GHIERA            | RESSORT DE LA SERRURE DU VIROLE          | FERRULE LOCK SPRING           | FEDER DES MUTTER-SCHLOSSES     |
| DRIVE TAV. 009 | 36   | RTMIN00022 | DADO CIECO                    | ECROU                                    | NUT                           | MUTTER                         |
| DRIVE TAV. 009 | 37   | 161580     | AS. PROTEZIONE SERRATURA DX   | GROUPE PROTECTION SERRURE DROITE         | UNIT RIGHT LOCK PROTECTION    | GRUPPE SHUTZSCHLOSS RECHTZ     |
| DRIVE TAV. 009 | 37-1 | 161150     | AS. PROTEZIONE SERRATURA SX   | GROUPE PROTECTION SERRURE GAUCHE         | UNIT LEFT LOCK PROTECTION     | GRUPPE SHUTZSCHLOSS LINKE      |
| DRIVE TAV. 009 | 38   | 161411     | GUARNIZIONE CRUSCOTTO         | GARNITURE PANNEAU DE CONTRÔLE            | CONTROL PANEL GASKET          | DICHTUNG STIRNBRETT            |
| DRIVE TAV. 009 | 39   | RTFOC00721 | GUARNIZIONE FACCIATA          | GARNITURE DEVANTURE                      | GASKET FACE                   | DICHTUNG OFENVORDERWAND        |
| DRIVE TAV. 009 | 40   | RTFOC00302 | ANELLO TENUTA ALB.MOT.        | ANNEAU                                   | RING                          | RING                           |
| DRIVE TAV. 009 | 41   | 161477     | DISTANZIALE GOMMINO P.F.      | BOUCHON DE LA PORTE                      | DOOR RUBBER CAP               | TÜRGUMMI                       |
| DRIVE TAV. 009 | 42   | GAFOC00005 | SERRATURA                     | SERRURE                                  | LOCK                          | SCHLOSS                        |
| DRIVE TAV. 009 | 43   | RTFOC00057 | ZOCCOLO CENTRALE              | GODET CENTRAL                            | CENTRAL BASE                  | SOCKEL ZENTRAL                 |
| DRIVE TAV. 009 | 44   | PAFOC00329 | DISCO SCARICO COND.FEC200     | DISQUE DÉCHARGÉ                          | DISK OUTLET                   | SCHEIBE AUSGANG                |
| DRIVE TAV. 009 | 45A  | AFC0000012 | CAMINO ANTIVENTO              | CHEMINÉE ANTIVENT                        | CHIMNEY                       | KAMIN WINDSCHUTZ               |
| DRIVE TAV. 009 | 46A  | RTFOC00229 | CAMINO SUP.FGM061             | CHEMINÉE SUPÉRIEURE                      | UPPER CHIMNEY                 | OBERER SCHORNSTEIN             |
| DRIVE TAV. 009 | 47   | RTFOC00514 | DISTANZ.INF/SUP SERR.FGC060/1 | ENTRTOISE                                | SPACER                        | DISTANZSTÜCK                   |
| DRIVE TAV. 009 | 48   | RTFOC00515 | DISTANZ.CENT.SERR.FGC060/1    | ENTRTOISE                                | SPACER                        | DISTANZSTÜCK                   |

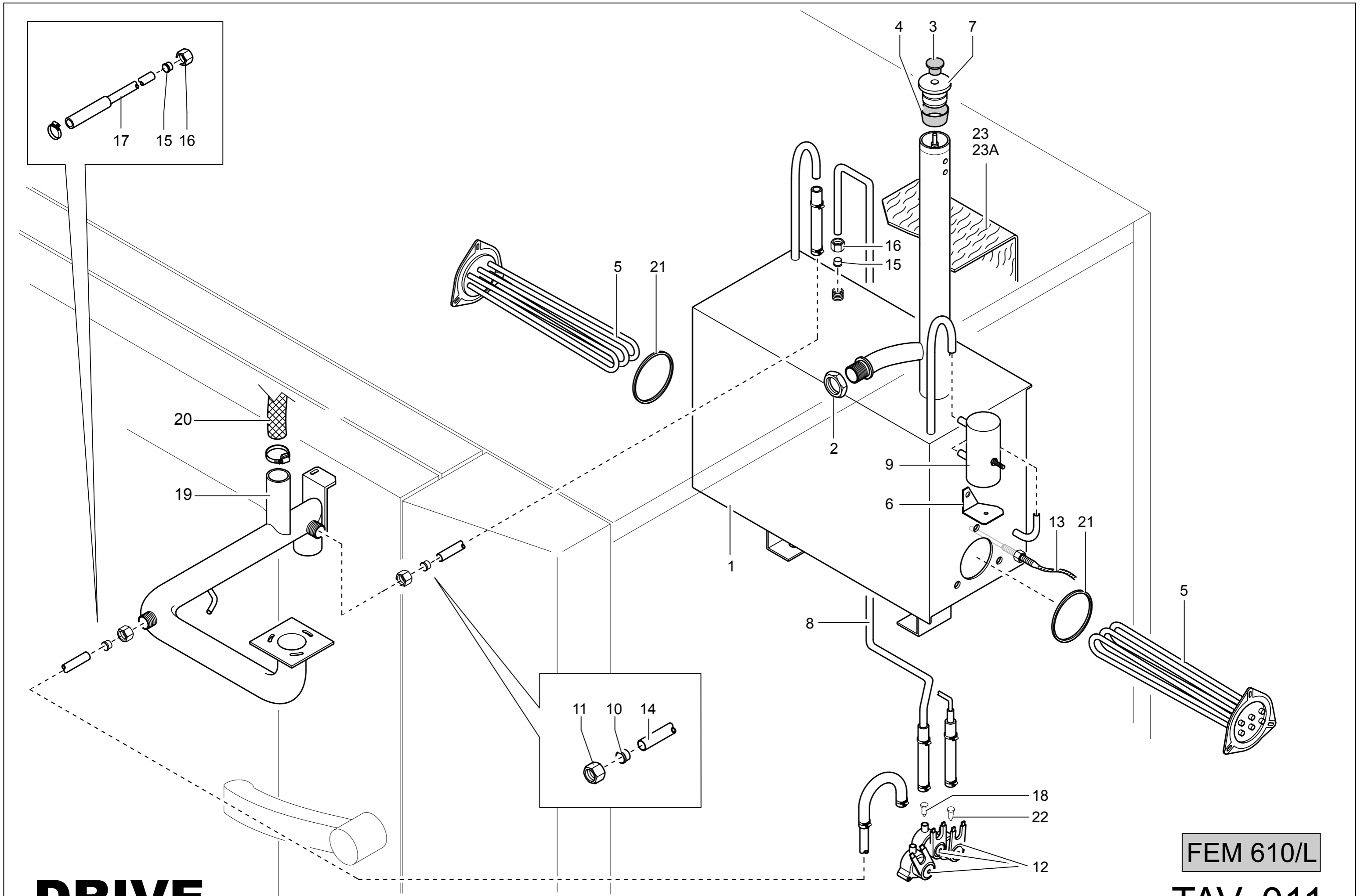


**DRIVE**

FEM 610/L

TAV. 010

| Tavola         | POS. | Codice     | DESCRIZIONE                         | DESCRIPTION                    | DESCRIPTION               | TITEL                         |
|----------------|------|------------|-------------------------------------|--------------------------------|---------------------------|-------------------------------|
| DRIVE TAV. 010 | 1    | RTFOC00174 | GRIGLIA PROT.VENT.                  | GRILLE DE PROTECTION           | GRILL IMPELLER PROTECTION | SCHUTZGITTER SCHORNSTEIN      |
| DRIVE TAV. 010 | 2    | RTFOC00487 | TU.UMIDIFICATORE                    | HUMIDIFICATEUR                 | HUMIDIFIER                | BEFEUCHTER                    |
| DRIVE TAV. 010 | 3    | 161347     | CONV.ARIA                           | CONVOYEUR DE L'AIR             | CHIMNEY                   | SCHORNSTEIN                   |
| DRIVE TAV. 010 | 4    | RTFOC00628 | RESISTENZA ELET. 2,5KW              | RESISTANCE ELET. 2,5KW         | RESISTANCE ELET. 2,5KW    | WIEDERSTAND ELET. 2,5KW       |
| DRIVE TAV. 010 | 5    | RTFOC00526 | GRIGLIA LAT.FCVM/6G INOX            | GRILLE LATÉRALE DROITE -GAUCHE | GRILL SIDERIGHT -LEFT     | GRILL SEITERECHTS -LINKS      |
| DRIVE TAV. 010 | 6    | RTFOC00532 | TU.AL.ACQ.UMIDIF.                   | TUBE HUMIDIFICATEUR            | PIPE HUMIDIFIER           | ROHR BEFEUCHTER               |
| DRIVE TAV. 010 | 7    | RTFOC00334 | AT.RAPIDO                           | ATTAQUE RAPIDE                 | CONNECTION                | SCHNELLANSCHLUSS              |
| DRIVE TAV. 010 | 8    | RTFOC00175 | GRIGLIA FORNO GN 1/1                | GRILLE DU FOUR GN 1/1          | GRILL OVEN GN 1/1         | GRILL HERD GN 1/1             |
| DRIVE TAV. 010 | 9    | RTFOC00145 | REGOLAT.E/VALV.FCV.BIANCO/1,2 99208 | REGULATEUR DE PORTÉE           | FLOWREGULATOR             | DURCHSTRÖMUNGSREGLER          |
| DRIVE TAV. 010 | 10   | RTFOC00437 | NEBULIZZATORE                       | NÉBULISATEUR                   | DISTRIBUTOR               | ZERSTÄUBER                    |
| DRIVE TAV. 010 | 11   | 161275     | GIRANTE VENT.10G D.270 P.R.         | MOBILE 50HZ                    | IMPELLER 50HZ             | LAUFRAD 50HZ                  |
| DRIVE TAV. 010 | 12   | RTFOC00696 | MOTORE VENT.FEC100                  | MOTEUR                         | MOTOR                     | MOTOR                         |
| DRIVE TAV. 010 | 13   | RTFOC00557 | INIET.UMIDIF.FCV D.1.5              | INJECTEUR HUMIDIFICATEUR       | INJECTOR HUMIDIFIER       | EINSPRITZER BEFEUCHTER        |
| DRIVE TAV. 010 | 14   | RTCU900018 | BICONO D.6                          | BICONE POUR TUBE Ø 6           | BICONE FOR PIPE Ø 6       | ZWEIKEGEL Ø 6                 |
| DRIVE TAV. 010 | 15   | RTFOC00020 | CALOTTA UMIDIF.                     | ECROU                          | NUT                       | MUTTER                        |
| DRIVE TAV. 010 | 16   | RTFOC00120 | REGOLAT.E/VALV.FCV.ROSSO/0,25       | REGULATEUR DE PORTÉE           | FLOWREGULATOR             | DURCHSTRÖMUNGSREGLER          |
| DRIVE TAV. 010 | 17   | RTCU900013 | CALOTTA D.10                        | ECROU D.10                     | NUT D.10                  | MUTTER D.10                   |
| DRIVE TAV. 010 | 18   | RTCU900012 | BICONO D.10                         | BICONE D.10                    | DOUBLE CONE D.10          | DOPPELKONUS D.10              |
| DRIVE TAV. 010 | 19   | RTFOC00520 | ELETTRIVALVOLA                      | SOUPAPE                        | ELECTRIC VALVE            | ELEKTROVENTIL                 |
| DRIVE TAV. 010 | 20   | 161508     | TUBO IN GOMMA                       | VITE FISSAGGIO GIRANTE         | FIXINGSCREW IMPELLER      | BEFESATIGUNGSSCHRAUBE LAUFRAD |
| DRIVE TAV. 010 | 21   | 161521     | TU.AB.VAPORI                        | TUYAU DÉTACHEMENT VAPEUR       | PIPE STEAM                | ROHR DAMPF                    |

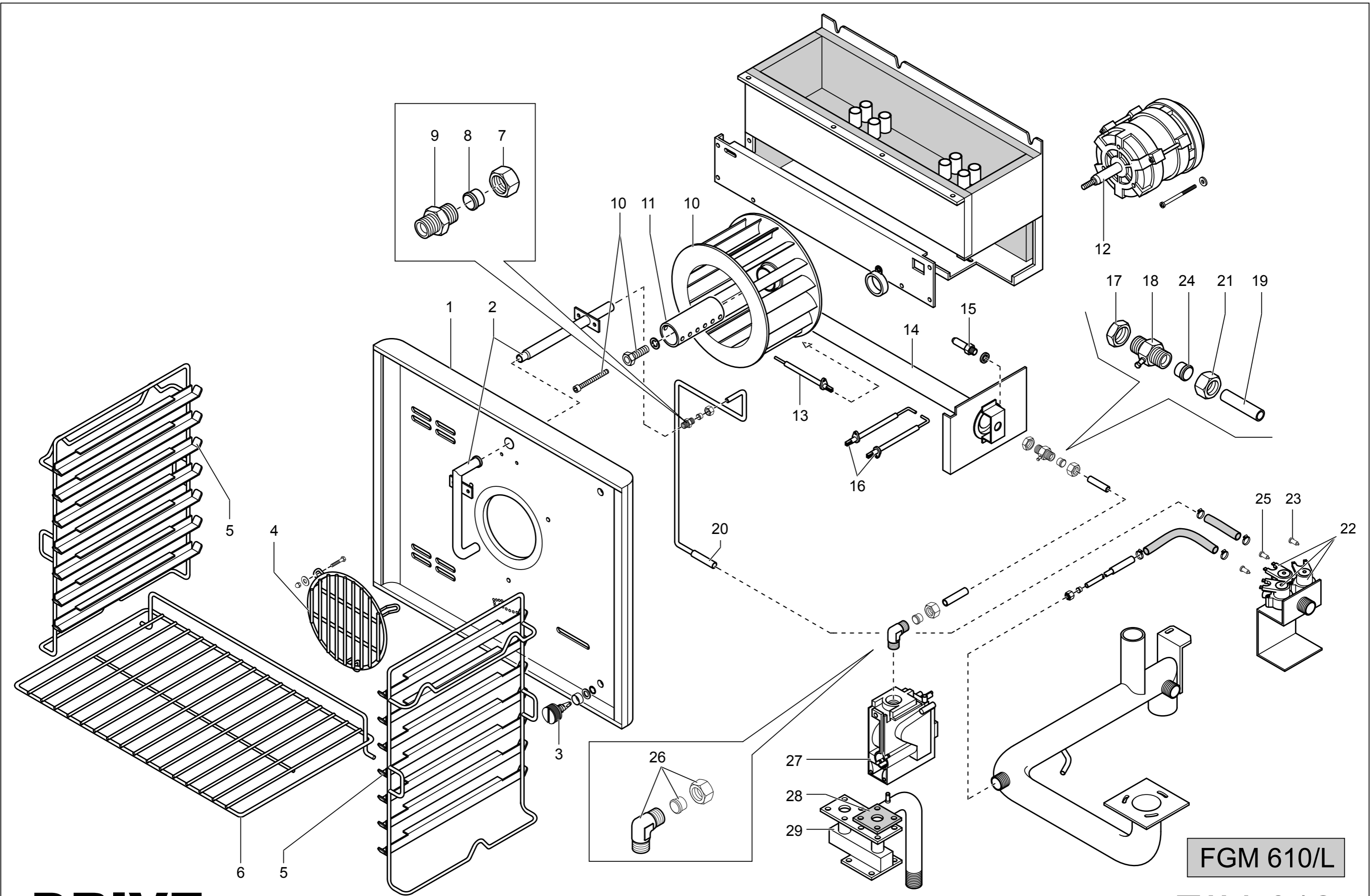


**DRIVE**

FEM 610/L

TAV. 011

| TAVOLA         | POS. | CODICE     | DESCRIZIONE                         | DESCRIPTION                                 | DESCRIPTION                             | TITEL                                   |
|----------------|------|------------|-------------------------------------|---|---|---|
| DRIVE TAV. 011 | 1    | 165067     | BOILER E.FEM610                     | BOILER                                      | BOILER                                  | BOILER                                  |
| DRIVE TAV. 011 | 2    | RTFOC00186 | DADO 3/4"ES.INOX FCVM               | ECROU3/4"                                   | NUT 3/4"                                | MUTTER 3/4"                             |
| DRIVE TAV. 011 | 3    | 161660     | MANOP.COND.FCV.GRIGIA EKK25BM6      | BOUTON                                      | KNOB                                    | DREHGRIF                                |
| DRIVE TAV. 011 | 4    | RTFOC00213 | GUARNIZ.VALV.PESO FGM061            | GARNITURE                                   | GASKET                                  | DICHTUNG                                |
| DRIVE TAV. 011 | 5    | RTFOC00150 | R.BOY.FEM.7,5KW2301GEL7D201004      | RESISTANCE                                  | RESISTANCE                              | WIDERSTAND                              |
| DRIVE TAV. 011 | 6    | 162282     | SQ.FIS.CONTROLLO LIV.BOY.F.HOBART   | EGUERRE                                     | BRACKET                                 | STEUERTAFEL                             |
| DRIVE TAV. 011 | 7    | RTFOC00212 | VALVOLA PESO                        | VALVE                                       | VALVE                                   | VENTIL                                  |
| DRIVE TAV. 011 | 8    | 165746     | TU.AL.ACQ.BOYLER FEM610             | TUBE DE CHARGEMENT DE L'EAU                 | WATER FEEDING TAP                       | VERSORGUNGSROHR                         |
| DRIVE TAV. 011 | 9    | 164518     | REGOLATORE LIV.BOY.F.HOBART         | REGULATEUR                                  | REGULATOR                               | REGLER                                  |
| DRIVE TAV. 011 | 10   | RTCP900088 | BICONO D.14 CP                      | BICONE                                      | DOUBLE CONE                             | DOPPELKONUS                             |
| DRIVE TAV. 011 | 11   | RTCP900089 | CALOTTA OT.D.14 CP                  | ECROU                                       | NUT                                     | MUTTER                                  |
| DRIVE TAV. 011 | 12   | RTFOC00520 | E/VALVOLA FCV.3V.209035             | SOUPAPE                                     | ELECTRIC VALVE                          | ELEKTROVENTIL                           |
| DRIVE TAV. 011 | 13   | 164484     | T/COPPIA 6X100 K F.HOBART MBM00018  | THERMOCOUPLE                                | THERMCOPPIA                             | WAERMEPAAR                              |
| DRIVE TAV. 011 | 14   | 165070     | TU.SCARICO ACQ.BOY.FEM610           | TUBE DE DECHARGE DE L'EAU                   | WATER DISCHARGE PIPE                    | WASSERABLASSROHR                        |
| DRIVE TAV. 011 | 15   | RTCU900012 | BICONO D.10                         | BICONE POUR TUYAU Ø 10                      | BICONE Ø10                              | ZWEIKEGEL Ø10                           |
| DRIVE TAV. 011 | 16   | RTCU900013 | CALOTTA D.10                        | ECROU                                       | NUT                                     | MUTTER                                  |
| DRIVE TAV. 011 | 17   | 161521     | TU.AB.VAPORI FGMD/FEMD 107/109      | TUYAU DÉTACHEMENT VAPEUR                    | PIPE STEAM                              | ROHR DAMPF                              |
| DRIVE TAV. 011 | 18   | RTFOC00145 | REGOLAT.E/VALV.FCV.BIANCO/1,2 99208 | REGULATEUR DE PORTÉE BOILER 1,2 L/M (BLANC) | BOILER FLOW REGULATOR 1,2 L/MIN (WHITE) | DURCHFLUSSREGLER BOILER 1,2 L/M (BIRNE) |
| DRIVE TAV. 011 | 19   | 161212     | RAMPA SC.COND.INF.FGM67/69          | RAMPE DU DÉCHARGEMENT CONDENSE              | RAMP OUTLET COND.                       | DUNSTHAUBE                              |
| DRIVE TAV. 011 | 20   | 161508     | TUBO GOMMA SC.COND.FCV.D.36X4,0     | TUBE EN CAOUTCHAUC                          | RUBBER PIPE                             | ROHR GUMMI                              |
| DRIVE TAV. 011 | 21   | RIC0003729 | GUARNIZIONE RESISTENZA BOYLER       | GARNITURE                                   | GASKET                                  | DICHTUNG                                |
| DRIVE TAV. 011 | 22   | RTFOC00120 | REGOLAT.E/VALV.FCV.ROSSO/0,25 99206 | REGULATEUR DE PORTÉE                        | FLOW REGULATOR                          | DURCHFLUSSREGLER                        |
| DRIVE TAV. 011 | 23   | 165659     | IS.EST.BOYLER FEM610                | PROFIL ISOLANT                              | INSULATING BAND                         | ISOLIERPROFIL                           |
| DRIVE TAV. 011 | 23A  | 165662     | IS.INT.BOYLER FEM610                | PROFIL ISOLANT                              | INSULATING BAND                         | ISOLIERPROFIL                           |



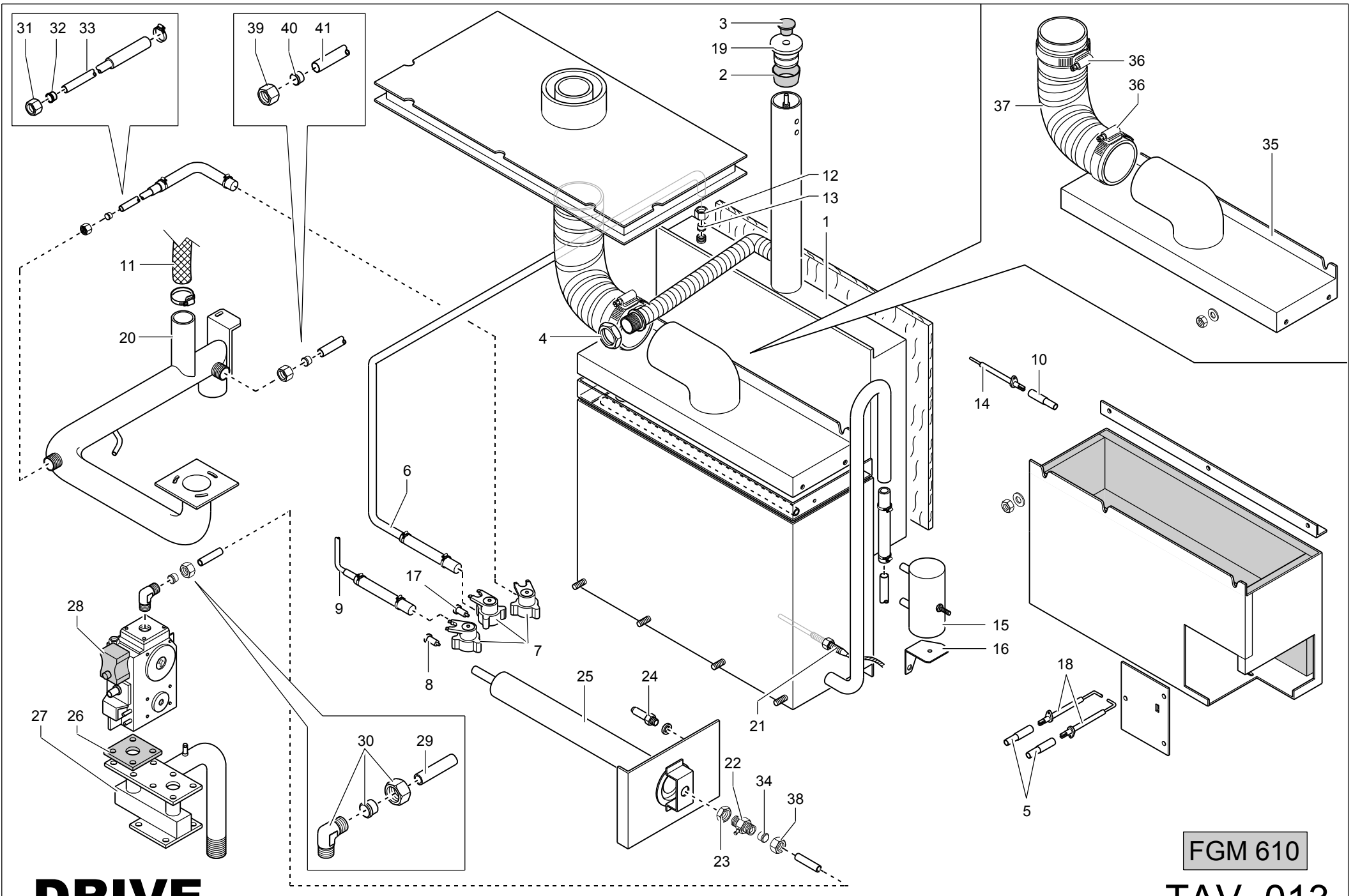
**DRIVE**

FGM 610/L

TAV. 012

| TAVOLA         | POS. | CODICE              | DESCRIZIONE                         | DESCRIPTION                    | DESCRIPTION               | TITEL                    |
|----------------|------|---------------------|-------------------------------------|--------------------------------|---------------------------|--------------------------|
| DRIVE TAV. 006 | 1    | PAFOC00549          | CONV.ARIA                           | CONVOYEUR DE L'AIR             | CHIMNEY                   | SCHORNSTEIN              |
| DRIVE TAV. 006 | 2    | RTFOC00487          | TU.UMIDIFICATORE                    | HUMIDIFICATEUR                 | HUMIDIFIER                | BEFEUCHTER               |
| DRIVE TAV. 006 | 3    | RTFOC00334          | AT.RAPIDO                           | ATTAQUE RAPIDE                 | CONNECTION                | SCHNELLANSCHLUSS         |
| DRIVE TAV. 006 | 4    | RTFOC00174          | GRIGLIA PROT.VENT.                  | GRILLE DE PROTECTION           | GRILL IMPELLER PROTECTION | SCHUTZGITTER SCHORNSTEIN |
| DRIVE TAV. 006 | 5    | RTFOC00526          | GRIGLIA LAT.                        | GRILLE LATÉRALE DROITE -GAUCHE | GRILL SIDERIGHT -LEFT     | GRILL SEITERECHTS -LINKS |
| DRIVE TAV. 006 | 6    | RTFOC00175          | GRIGLIA FORNO GN 1/1                | GRILLE DU FOUR GN 1/1          | GRILL OVEN GN 1/1         | GRILL HERD GN 1/1        |
| DRIVE TAV. 006 | 7    | RTFOC00020          | CALOTTA UMIDIF.                     | ECROU                          | NUT                       | MUTTER                   |
| DRIVE TAV. 006 | 8    | RTCU900018          | BICONO D.6                          | BICONE POUR TUBE Ø 6           | BICONE FOR PIPE Ø 6       | ZWEIKEGEL Ø 6            |
| DRIVE TAV. 006 | 9    | RTFOC00557          | INIET.UMIDIF.FCV D.1.5              | INJECTEUR HUMIDIFICATEUR       | INJECTOR HUMIDIFIER       | EINSPRITZER BEFEUCHTER   |
| DRIVE TAV. 006 | 10   | 161275              | GIRANTE VENT.                       | MOBILE 50HZ                    | IMPELLER 50HZ             | LAUFRAD 50HZ             |
| DRIVE TAV. 006 | 11   | RTFOC00437          | NEBULIZZATORE                       | NÉBULISATEUR                   | DISTRIBUTOR               | ZERSTÄUBER               |
| DRIVE TAV. 006 | 12   | RTFOC00696          | MOTORE VENT.FCE6 2 POLI 1075A2250   | MOTEUR                         | MOTOR                     | MOTOR                    |
| DRIVE TAV. 006 | 13   | PAFOC00249          | CAND.RIL.BRU.                       | ELECTRODE DÉTECTION            | FLAMEDETECTOR             | FLAMMENDETEKTOR          |
| DRIVE TAV. 006 | 14   | GAFOC00064          | AS.BRUC.FGC100                      | BRÛLEUR                        | BURNER                    | BRENNER                  |
| DRIVE TAV. 006 | 15   | VEDI MANUALE UGELLI |                                     |                                |                           |                          |
| DRIVE TAV. 006 | 16   | PAFOC00252          | CAND.ACC.BRU.                       | CANDEL.ACC. FIAMMA             | CANDEL.ACC. FIAMMA        | FLAMMENKERZE             |
| DRIVE TAV. 006 | 17   | RTCP800013          | DADO 1/2"ES.27X7 OT.UNI5589         | ECROU1/2"                      | NUT 1/2"                  | MUTTER 1/2"              |
| DRIVE TAV. 006 | 18   | RTCP800012          | SUPPORTO INIET.1/2"BRUC.GBR         | SUPPORTO INJECTEUR             | SUPPORT INJECTOR 1/2"     | HALTERUNG EINSPRITZER    |
| DRIVE TAV. 006 | 19   | RTFOC00690          | TU.AL.BRUC.                         | TUBE DE DISTRIBUTION BRÛLEUR   | BURNER DISTRIBUTION PIPE  | BRENNERVERSORGUNGSRÖHR   |
| DRIVE TAV. 006 | 20   | RTFOC00510          | TU.AL.ACQ.UMIDIF.                   | TUBE HUMIDIFICATEUR            | PIPE HUMIDIFIER           | ROHR BEFEUCHTER          |
| DRIVE TAV. 006 | 21   | RTBF800015          | CALOTTA D.14                        | ECROU D.14                     | NUT D.14                  | MUTTER D.14              |
| DRIVE TAV. 006 | 22   | RTFOC00520          | ELETTROVALVOLA                      | SOUPAPE                        | ELECTRIC VALVE            | ELEKTROVENTIL            |
| DRIVE TAV. 006 | 23   | RTFOC00145          | REGOLAT.E/VALV.FCV.BIANCO/1,2 99208 | REGULATEUR DE PORTÉE           | FLOW REGULATOR            | DURCHFLUSSREGLER         |
| DRIVE TAV. 006 | 24   | RTBF800137          | BICONO D.14                         | BICONE D.14                    | DOUBLE CONE D.14          | DOPPELKONUS D.14         |
| DRIVE TAV. 006 | 25   | RTFOC00120          | REGOLAT.E/VALV.FCV.ROSSO/0,25 99206 | REGULATEUR DE PORTÉE           | FLOW REGULATOR            | DURCHFLUSSREGLER         |
| DRIVE TAV. 006 | 26   | RTBF800140          | GOMITO COMP.OT.D.14 01091421        | COURBE                         | ELBOW                     | KNIESTÜCK                |
| DRIVE TAV. 006 | 27   | RTFOC00577          | CORPO V.FGM69 826011                | VALVE GAS                      | VALVE GAS                 | VENTIL GAS               |
| DRIVE TAV. 006 | 28   | RTFOC00100          | GUARNIZ.AS.RAMPA FGC060             | GARNITURE RAMPE DU GAZ         | GASKET RAMP GAS           | DICHTUNG RAMPE GAS       |
| DRIVE TAV. 006 | 29   | RTFOC00350          | AS.RAMPA FGM100 ZINC.               | RAMPE DU GAZ                   | RAMP GAS                  | RAMPE GAS                |





**DRIVE**

FGM 610

TAV. 013

| TAVOLA         | POS. | CODICE              | ITALIANO                            | FRANCESE                       | INGLESE               | TEDESCO               |
|----------------|------|---------------------|-------------------------------------|--------------------------------|-----------------------|-----------------------|
| DRIVE TAV. 013 | 1    | 165055              | BOILER                              | BOILER                         | BOILER                | BOILER                |
| DRIVE TAV. 013 | 2    | RTFOC00213          | GUARNIZIONE VALVOLA PESO            | GARNITURE                      | GASKET                | DICHTUNG              |
| DRIVE TAV. 013 | 3    | 161660              | MANOP.COND.FCV.TURCH.EKK25B         | BOUTON                         | KNOB                  | DREHGRIF              |
| DRIVE TAV. 013 | 4    | RTFOC00186          | DADO 3/4"ES.INOX FCVM               | ECROU3/4"                      | NUT 3/4"              | MUTTER 3/4"           |
| DRIVE TAV. 013 | 5    | RTFOC00265          | FAST.CAN. ACCENSIONE                | FASTON                         | FASTON                | FASTON                |
| DRIVE TAV. 013 | 6    | 165054              | TU.AL.ACQ.BOILER                    | TUBE DE CHARGEMENT DE L'EAU    | PIPE WATERINLET       | ROHR WASSERZUFLUSS    |
| DRIVE TAV. 013 | 7    | RTFOC00520          | E/VALVOLA FCV.3V. 209035            | SOUPAPE 3 VIE                  | ELECTRIC VALVE 3 VIE  | ELEKTROVENTIL 3 WEG   |
| DRIVE TAV. 013 | 8    | RTFOC00120          | REGOLAT.E/VALV.FCV.ROSSO/0,25       | REGULATEUR DE PORTÉE           | FLOWREGULATOR         | DURCHSTRÖMUNGSREGLER  |
| DRIVE TAV. 013 | 9    | RTFOC00510          | TU.AL.ACQ.UMIDIF.FGC100/1           | TUBE HUMIDIFICATEUR            | PIPE HUMIDIFIER       | ROHR BEFEUCHTER       |
| DRIVE TAV. 013 | 10   | RTFOC00266          | FAST.CAN.RILEVAZIONE                | FASTON                         | FASTON                | FASTON                |
| DRIVE TAV. 013 | 11   | 161508              | TUBO GOMMA                          | TUBE EN CAOUTCHAUC             | RUBBER PIPE           | ROHR GUMMI            |
| DRIVE TAV. 013 | 12   | RTCU900013          | CALOTTA D.10                        | ECROU                          | NUT                   | MUTTER                |
| DRIVE TAV. 013 | 13   | RTCU900012          | BICONO D.10                         | BICONE POUR TUYAU Ø 10         | BICONE Ø10            | ZWEIKEGEL Ø10         |
| DRIVE TAV. 013 | 14   | PAFOC00250          | CAND. RIL BRUC.BOILER               | ELECTRODE DÉTECTION            | SPARK PLUG            | ZÜNDKERZE             |
| DRIVE TAV. 013 | 15   | 164518              | REGOLATORE LIV.BOY.F.HOBART         | RÉGULATEUR                     | REGULATOR             | REGLER                |
| DRIVE TAV. 013 | 16   | 162282              | SQ.FIS.CONTROLLO LIV.BOY.F.HOBART   | EGUERRE                        | CREW                  | WINKEL                |
| DRIVE TAV. 013 | 17   | RTFOC00145          | REGOLAT.E/VALV.FCV.BIANCO/1,2 99208 | RÉGULATEUR                     | REGULATOR             | REGLER                |
| DRIVE TAV. 013 | 18   | PAFOC00251          | CAND.ACC.BRU.B.FGM109/95 15402      | BOUGIE D'ALLUMAGE              | PLUG SPARKE           | ZÜNDKERZE             |
| DRIVE TAV. 013 | 19   | RTFOC00212          | VALVOLA PESO                        | VALVE                          | VALVE                 | VENTIL                |
| DRIVE TAV. 013 | 20   | 161212              | RAMPA SC.COND.                      | RAMPE DU DÉCHARGEMENT CONDENSE | RAMP OUTLET COND.     | DUNSTHAUBE            |
| DRIVE TAV. 013 | 21   | 164729              | T/COPPIA 6X100 K F.HOBART MBM00018  | THERMOCOUPLE                   | THERMOELEMENT         | THERMOELEMENT         |
| DRIVE TAV. 013 | 22   | RTCP800012          | SUPPORTO INIET.1/2"BRUC.GBR         | SUPPORTO INJECTEUR             | SUPPORT INJECTOR 1/2" | HALTERUNG EINSPRITZER |
| DRIVE TAV. 013 | 23   | RTCP800013          | DADO 1/2"ES.27X7 OT.UNI5589         | ECROU1/2"                      | NUT 1/2"              | MUTTER 1/2"           |
| DRIVE TAV. 013 | 24   | VEDI MANUALE UGELLI |                                     |                                |                       |                       |
| DRIVE TAV. 013 | 25   | GAFOC00108          | AS.BRUC.BOILER FGM061               | BRÛLEUR                        | BURNER                | BRENNER               |
| DRIVE TAV. 013 | 26   | RTFOC00100          | GUARNIZ.AS.RAMPA FGC060             | GARNITURE RAMPE DU GAZ         | GASKET RAMP GAS       | DICHTUNG RAMPE GAS    |
| DRIVE TAV. 013 | 27   | RTFOC00350          | AS.RAMPA FGM100 ZINC.               | RAMPE DU GAZ                   | RAMP GAS              | RAMPE GAS             |
| DRIVE TAV. 013 | 28   | RTFOC00577          | CORPO V.FGM69 826011                | VALVE GAS                      | VALVE GAS             | VENTIL GAS            |
| DRIVE TAV. 013 | 29   | RTFOC00691          | TU.AL.BRUC.BOILER                   | TUYAU                          | PIPE                  | ROHR                  |
| DRIVE TAV. 013 | 30   | RTBF800140          | GOMITO COMP.OT.D.14 01091421        | RACCORD                        | FITTING               | KNIESTÜCK             |
| DRIVE TAV. 013 | 31   | RTCU900013          | CALOTTA D.10                        | ECROU D.10                     | NUT D.10              | MUTTER D.10           |
| DRIVE TAV. 013 | 32   | RTCU900012          | BICONO D.10                         | BICONE POUR TUYAU Ø 10         | BICONE Ø10            | ZWEIKEGEL Ø10         |
| DRIVE TAV. 013 | 33   | 161521              | TUBO ABBAT. VAPORE                  | TUYAU DÉTACHEMENT VAPEUR       | PIPE STEAM            | ROHR DAMPF            |
| DRIVE TAV. 013 | 34   | RTBF800137          | BICONO D.14                         | BICONE                         | DOUBLE CONE           | DOPPELKONUS           |
| DRIVE TAV. 013 | 35   | GAFOC00111          | AS.CAMINO BOILER FGM101             | CHEMINÉE BOILER                | CHIMNEY BOILER        | KAMIN BOILER          |
| DRIVE TAV. 013 | 36   | RTMIN00249          | FASCETTA TU.MINUS D77X97 INOX       | BANDE                          | CLAMP                 | SHELLE                |
| DRIVE TAV. 013 | 37   | RTFOC00216          | TU.FLES.PRES.BIANCO/75 0106300      | TUYAU                          | PIPE FLEXIBLE         | ROHR FLEXIBEL         |
| DRIVE TAV. 013 | 38   | RTBF800015          | CALOTTA D.14                        | ECROU D.14                     | NUT D.14              | MUTTER D.14           |
| DRIVE TAV. 013 | 39   | RTBF800137          | BICONO D.14                         | BICONE D.14                    | DOUBLE CONE D.14      | DOPPELKONUS D.14      |
| DRIVE TAV. 013 | 40   | RTCP900089          | CALOTTA OT.D.14                     | ECROU                          | NUT                   | MUTTER                |
| DRIVE TAV. 013 | 41   | 165057              | TU.SCARICO ACQ.BOY.                 | TUBE DE DECHARGE DE L'EAU      | WATER DISCHARGE PIPE  | WASSERABLASSROHR      |